

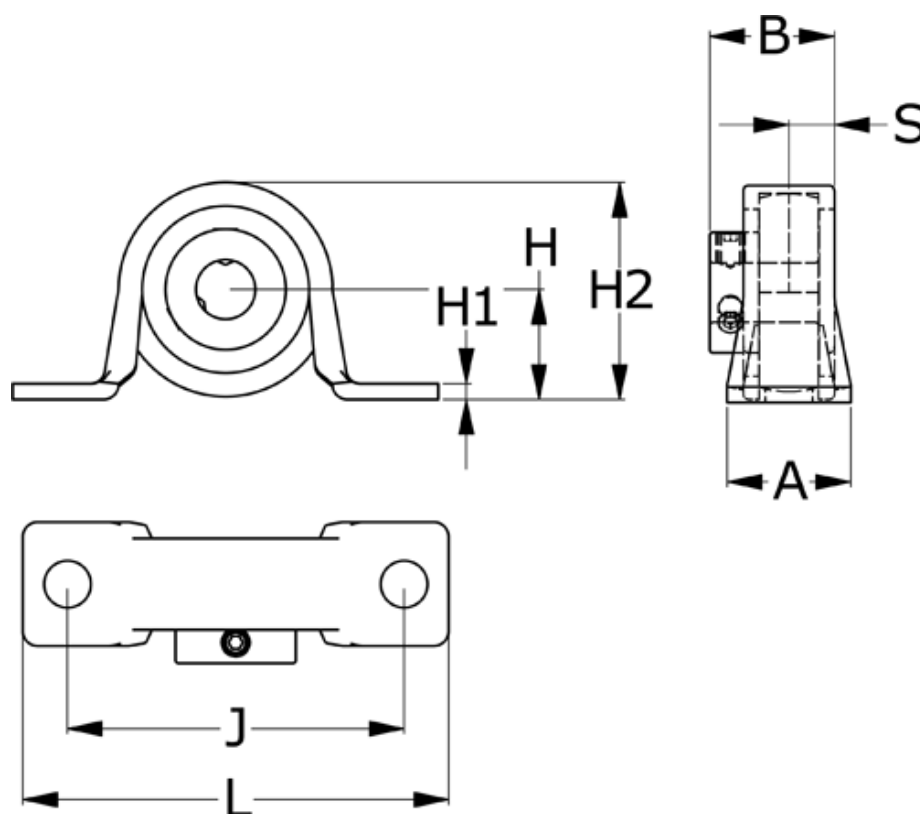
Data Sheet



Article number: 5725024201

Description: NSK Ball bearing unit ASPP201
Pressed steel housing

Measures



A = 25
B = 22
H = 22.2
H1 = 3.2
H2 = 43.8
J = 68
L = 86
N = 9.5

S = 6
Shaft $\bar{\text{ }}$ = 12